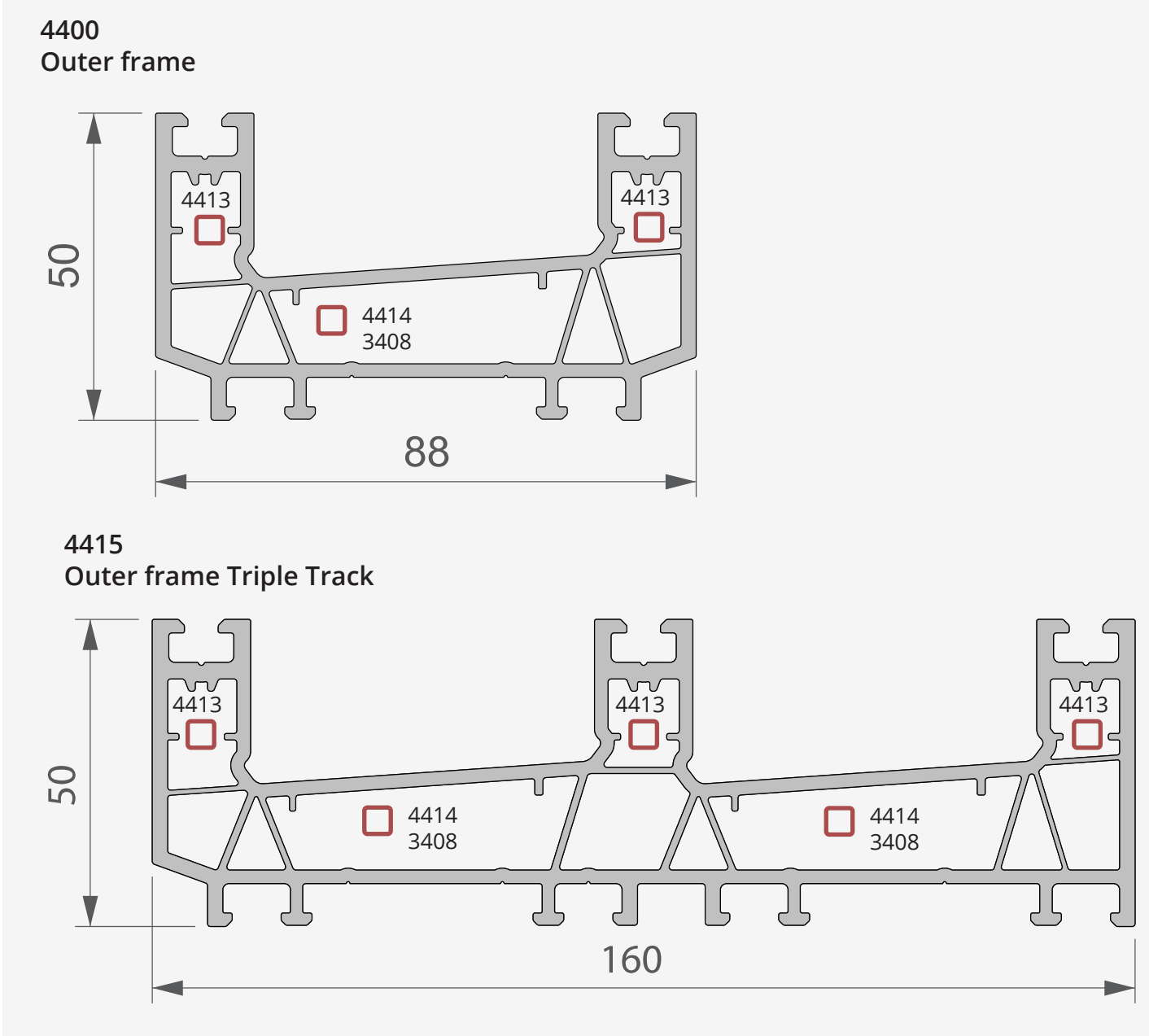
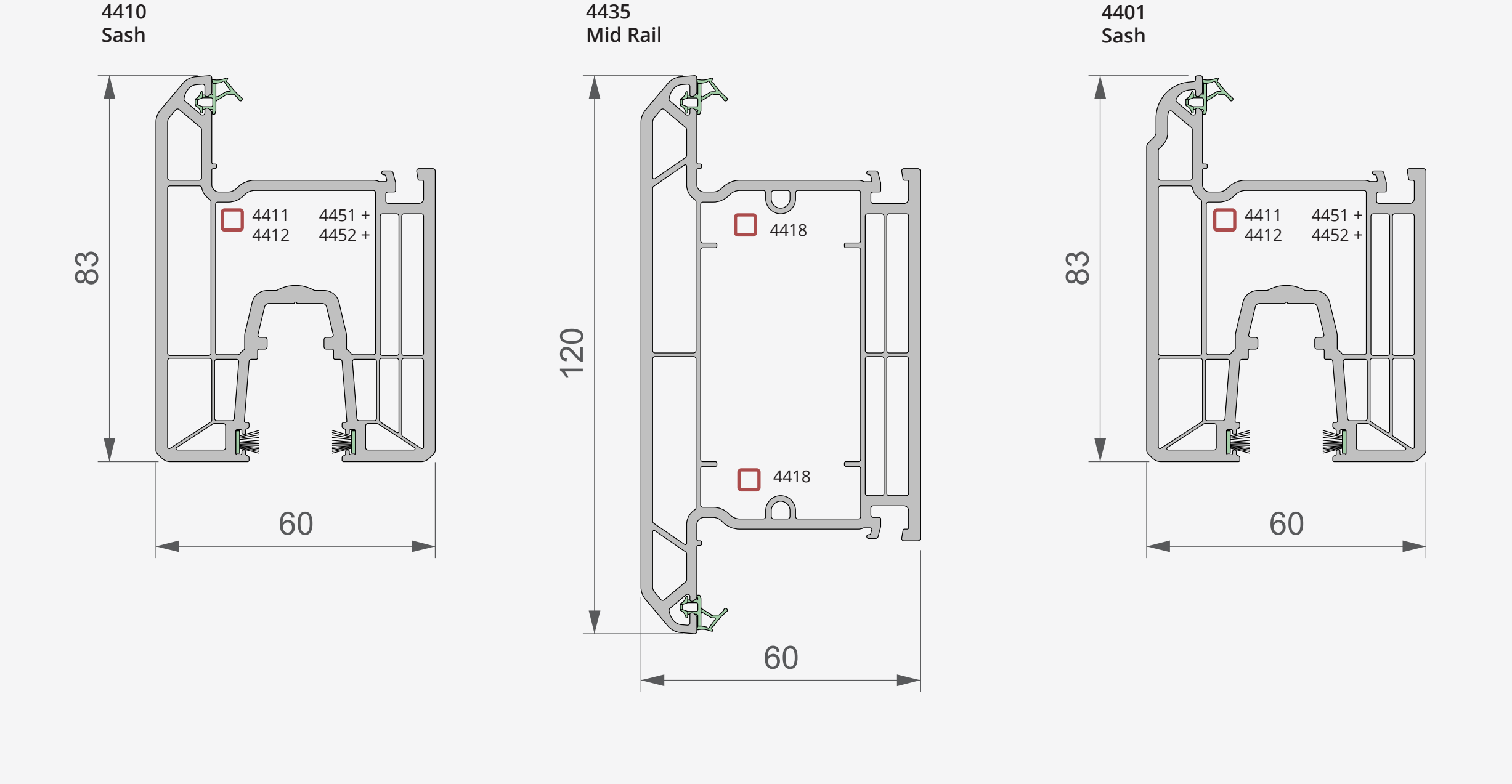


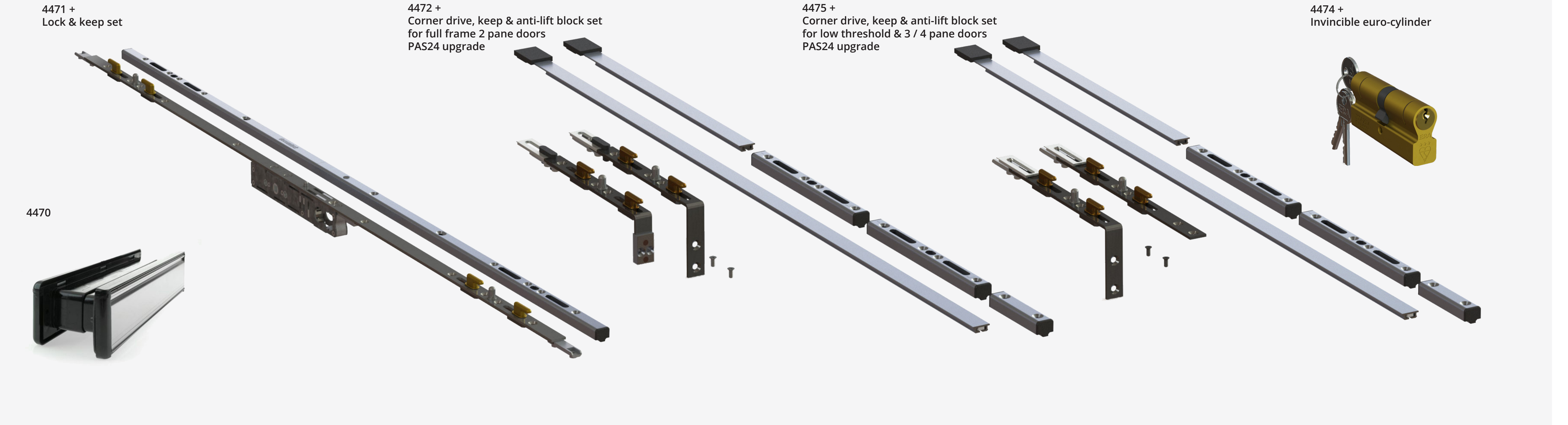
FRAMES



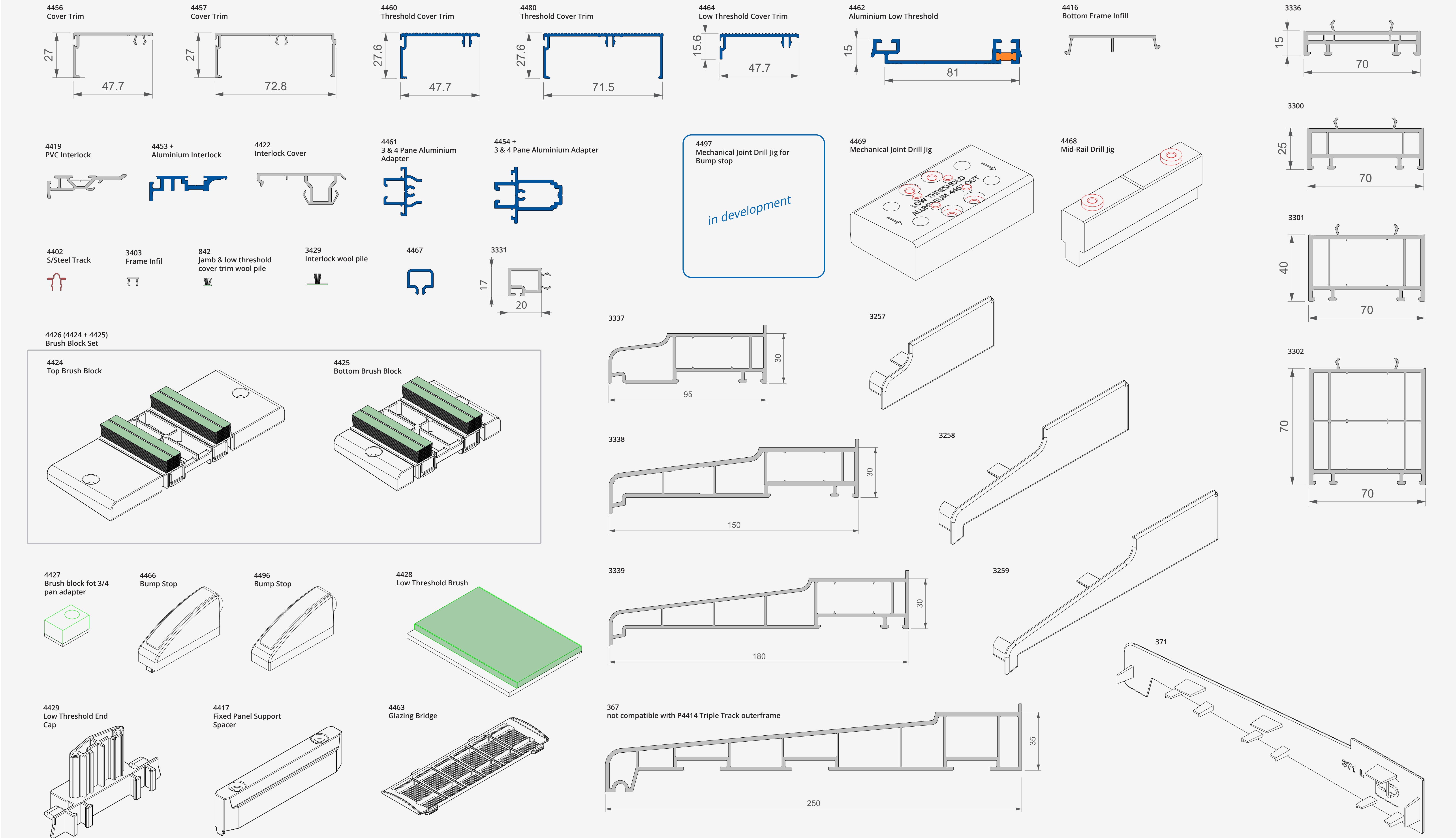
SASH



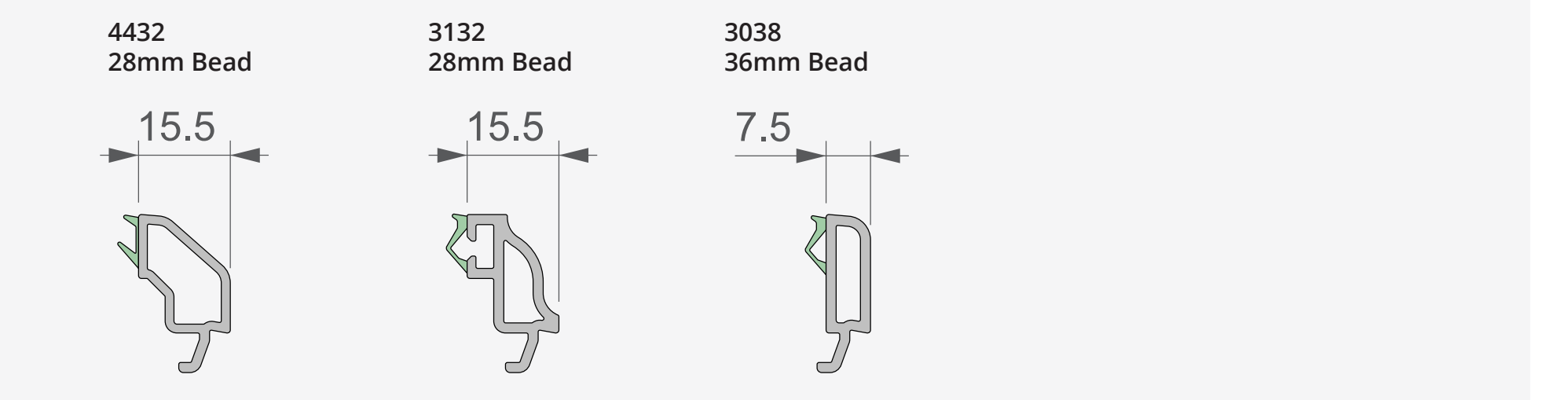
HARDWARE



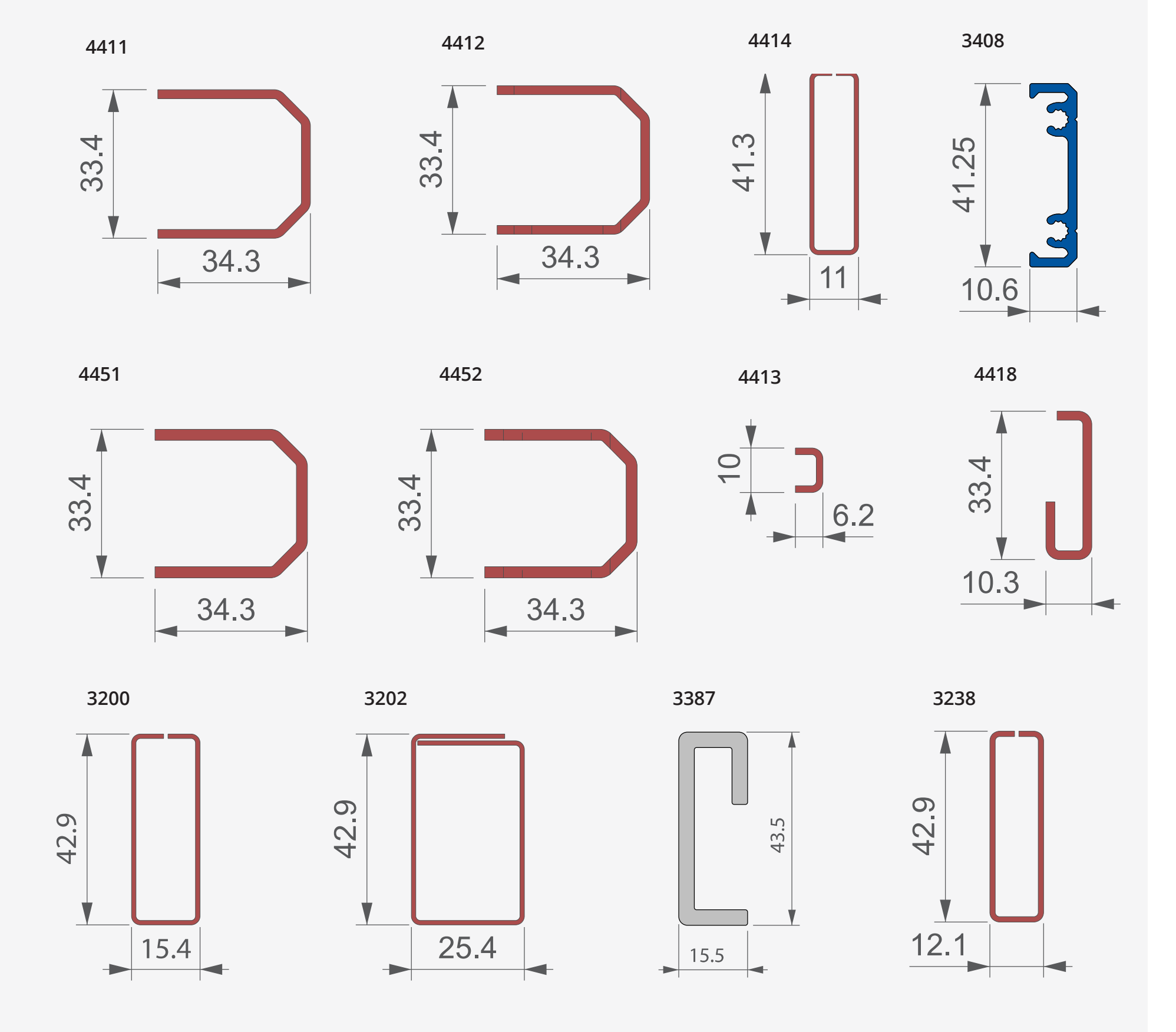
ACCESSORIES



GLAZING BEADS



HARDWARE



*+ The components with a +, are components only for PAS 24