



## Apex Lever/Pad Door Handle



### PRODUCT DESCRIPTION

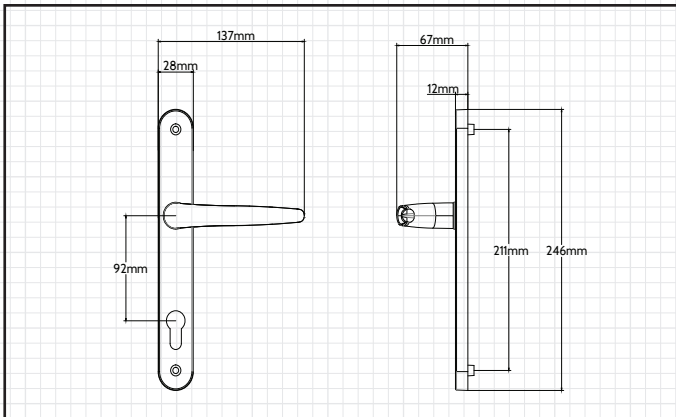
Designed with both functionality and aesthetics in mind, our premium Apex Lever/Lever Long Back Plate door handle sets the standard for excellence. Designed and manufactured to the highest standards, the Apex Lever/Lever door handle delivers superb product functionality and performance. Select from a range of nine popular finishes to complement all doors.

### FEATURES & BENEFITS

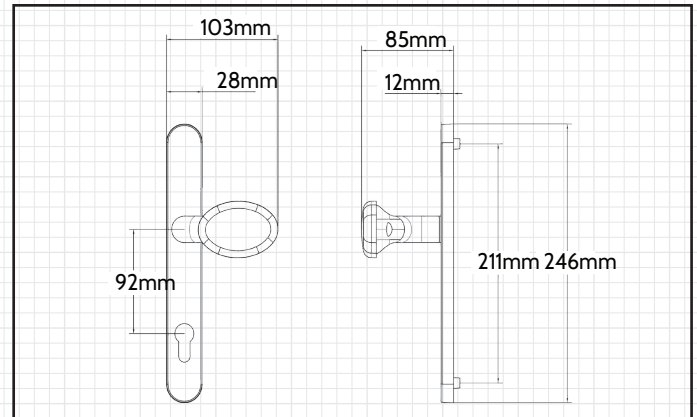
- Elegant ergonomic design with superior aesthetics.
- Part of the Apex range of premium quality hardware.
- Supplied with screws & spindles suitable for door thicknesses of 38-72mm.
- Fixed spring assisted, guaranteeing horizontal handle return after every operation.
- Improved method of fixing lever to the backplate ensuring durability.
- Additional material around the cylinder hole to avoid 'slippage of cylinder'.
- Available in inline Lever/Lever, Lever/Pad and offset Lever/Lever variants.
- Nine finishes available; White, Black, Chrome, Gold, Satin Silver, Flint, Tungsten, Anthracite Grey and Antique Black.
- 10 Year mechanical guarantee.
- 10 Year surface guarantee on powder coated finishes.
- 5 Year surface guarantee on plated finishes.
- Coating tested to BS.EN: 2007 Grade 5.

## Apex Lever/Pad Door Handle

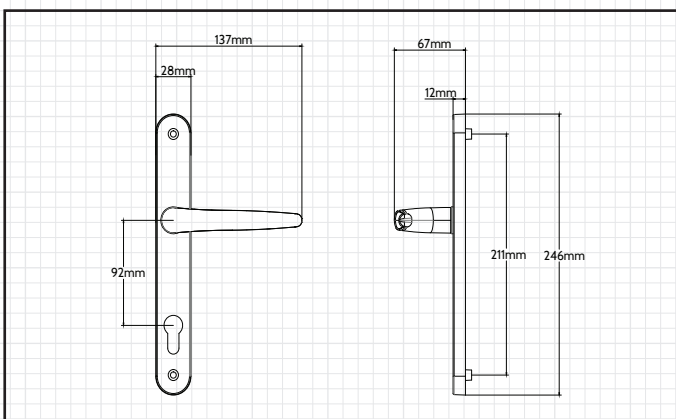
### INLINE LEVER/PAD INTERNAL HANDLE



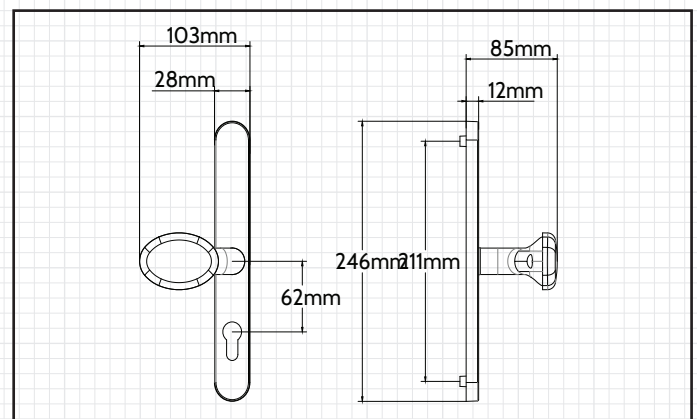
### INLINE LEVER/PAD EXTERNAL HANDLE



### OFFSET LEVER/PAD INTERNAL HANDLE



### OFFSET LEVER/PAD EXTERNAL HANDLE



### PACKAGING

Each outer box contains 10 individually boxed handles, each with screws and spindles included.

### MAINTENANCE

To maintain a high quality appearance and operation we recommend that all external hardware is cleaned routinely, and moving parts are lightly lubricated a minimum of twice a year. Products used within a 1 mile radius of coastal areas, building sites or large industrial areas, more regular cleaning will be required to prevent build up of corrosive contaminants.