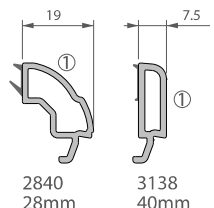
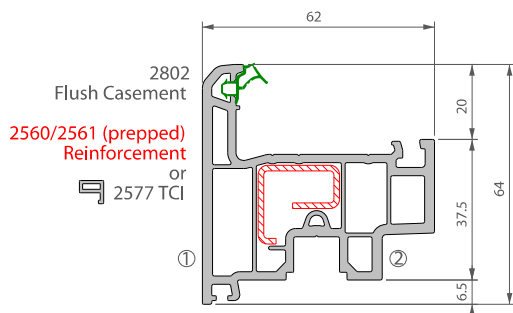
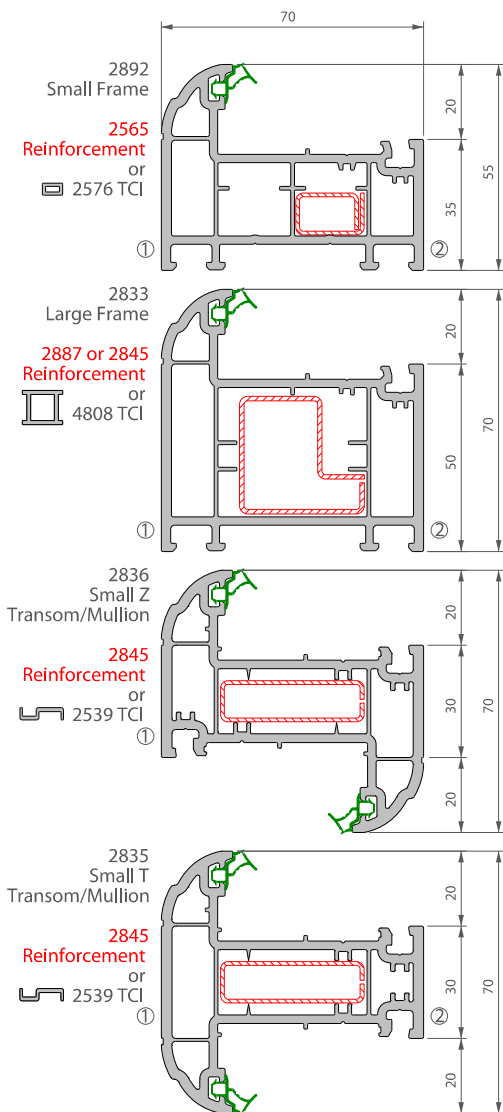
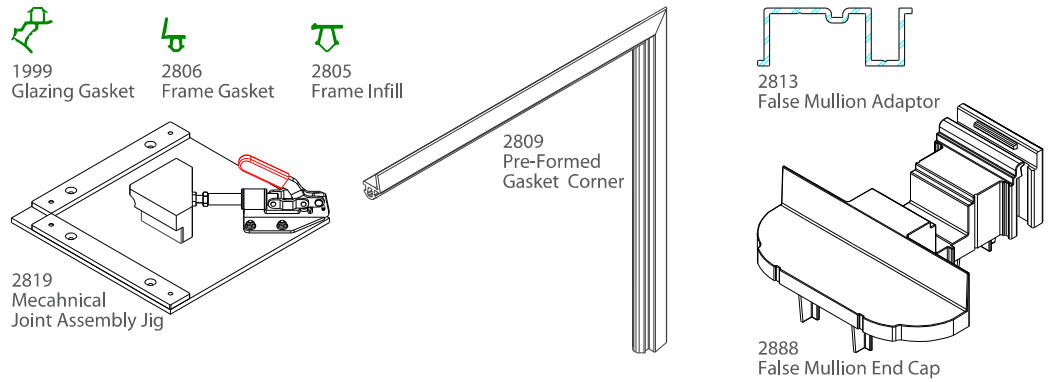
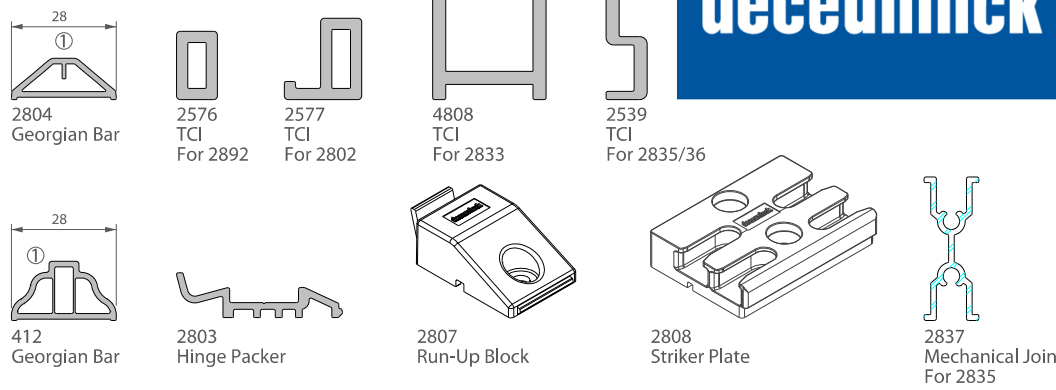


Heritage Flush sash

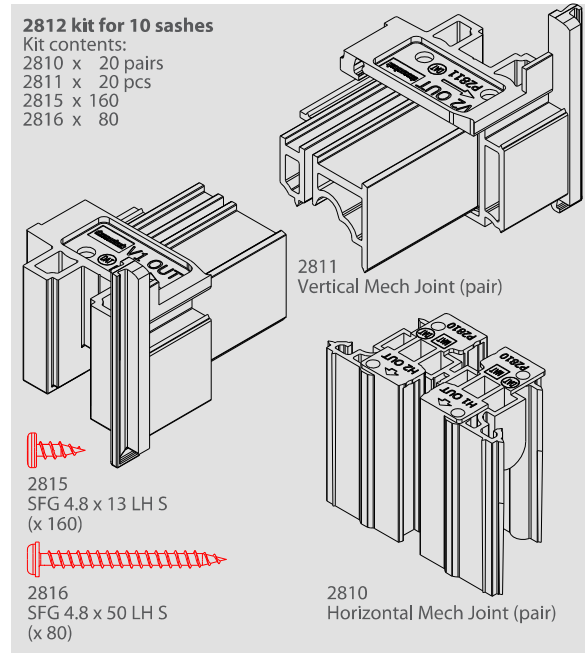
09.02.17



More glazing size options available. Please see Section 3.7 Glazing Table in your technical manual for details



Mechanical Joint Kit



Foil Codes
 Each colour code contains 4 digits
 First digit identifies the side or face to be foiled
 Remaining three digits identify the colour
 ① Foil to side 1, opposite the bead side
 ② Foil to side 2, bead side
 ③ Foil to both sides

Standard Foils									
1019	1096	1106	1145	1110	1111	1154	1072	1012	
White Grain	Classic Cream	Chartwell Green	Irish Oak	Golden Oak	Rosewood	Nut Tree	Anthracite Grain	Black Ash	
White PVC	White PVC	White PVC	White PVC	White PVC	White PVC	White PVC	White PVC	White PVC	White PVC
3019	3096	3106	3145	3110	3111	3154	3072	3012	
White Grain	Classic Cream	Chartwell Green	Irish Oak	Golden Oak	Rosewood	Nut Tree	Anthracite Grain	Black Ash	
White PVC	White PVC	White PVC	White PVC	White PVC	White PVC	White PVC	White PVC	White PVC	White PVC
Heritage Foils									
1665/1080	1081/1080	1048/1080	1012/1080	1020/1020	1020/1080	1080/1020	1080/1080		
Agate Grey	Ice Cream	Smooth Anthracite	Black Ash	English Oak	English Oak	Heritage White	Heritage White		
Heritage White	Heritage White	Heritage White	Heritage White	English Oak	Heritage White	English Oak	Heritage White		
Combined reverse 3397 3302	3396 3301	3399 3308	3520 3323	3020	3519 3526	3526 3519	3080		