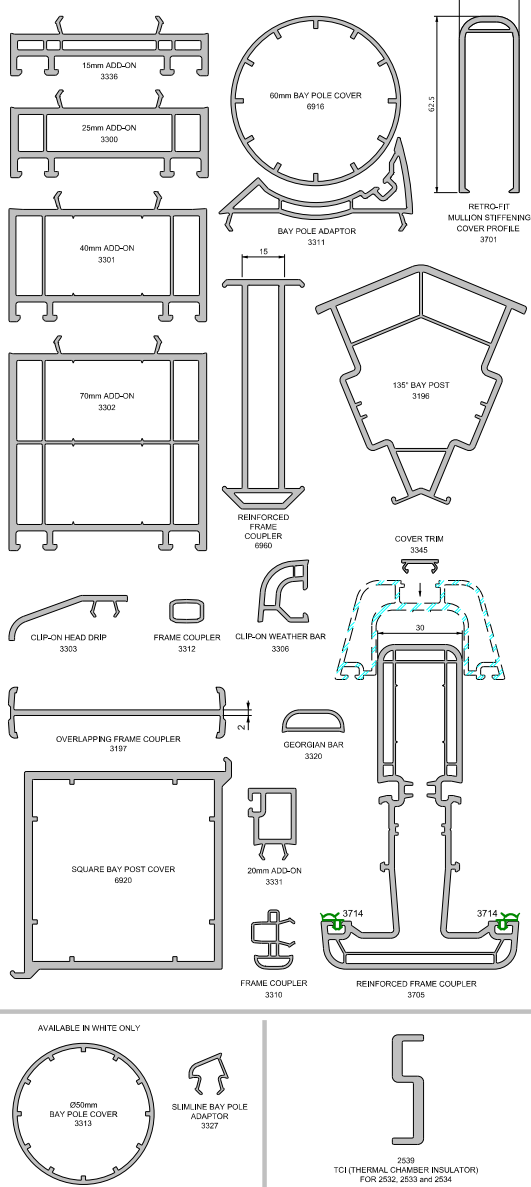
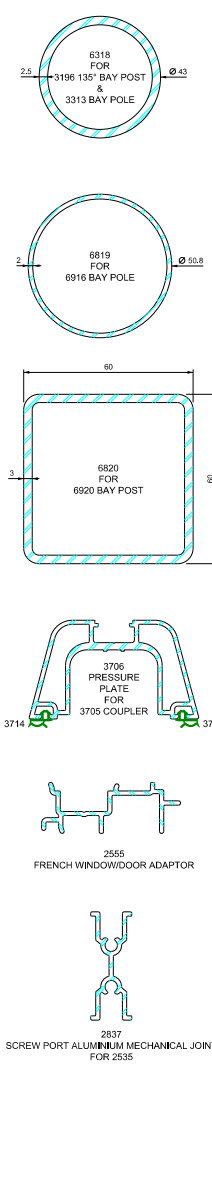


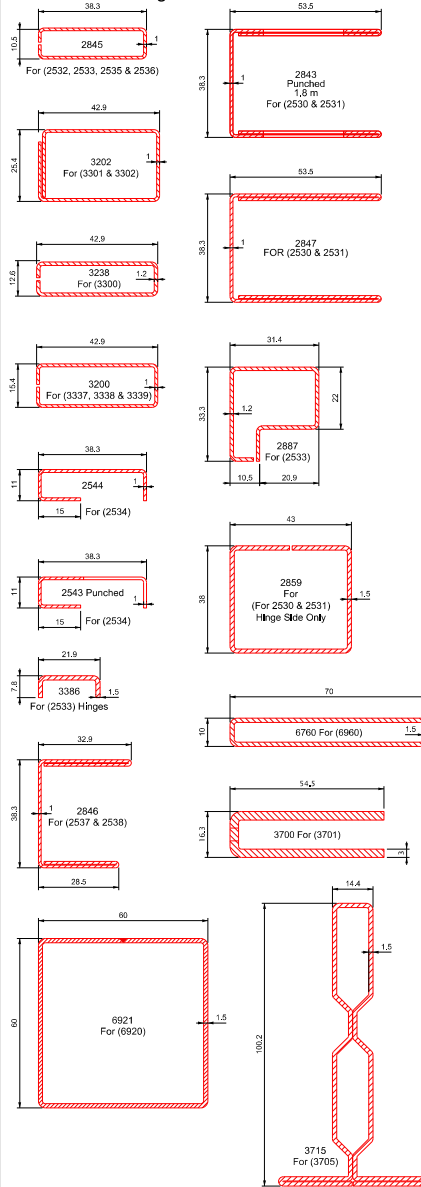
Ancillaries



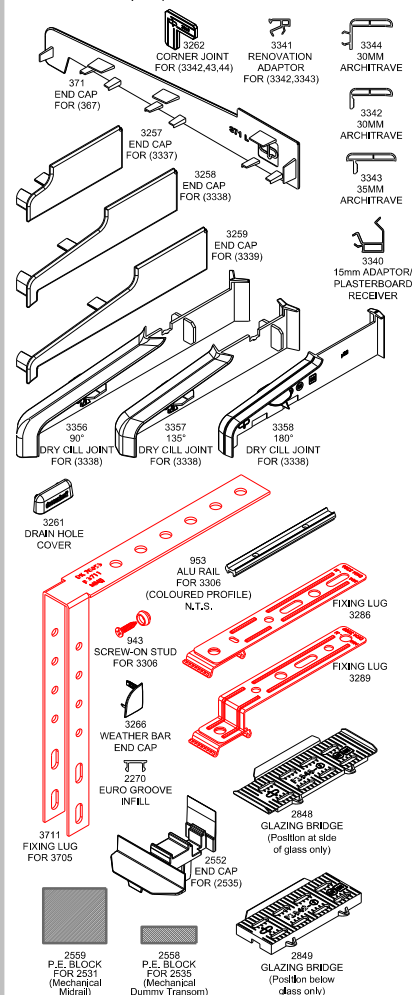
Aluminium Sections



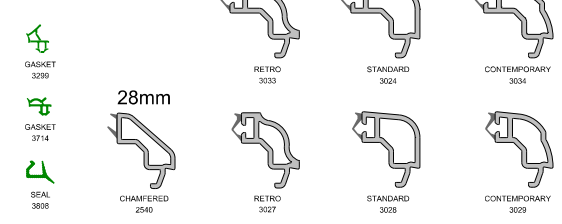
Steel Reinforcing



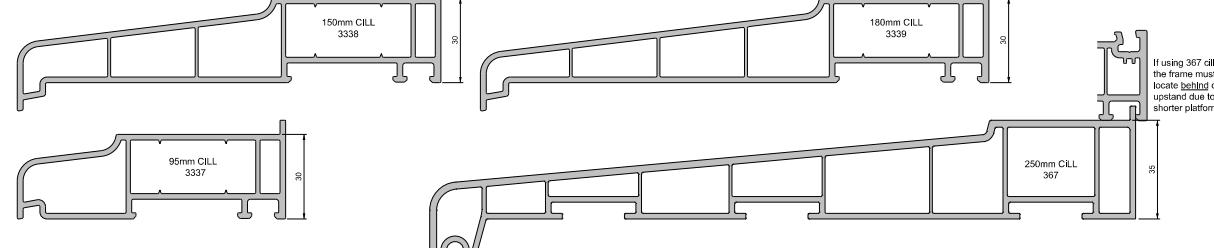
Accessories (1:2)



Glazing Bead, Gaskets & Seals



Cills



Low Threshold (1:2)

